

FAN RELAY HARNESS KIT Z40080

Single or Dual Fan Application up to 40 Amp Max Combined

CONTENTS:

- Relay Harness with relay and dual fan connectors
- Fuse holder with installed 30 Amp fuse
- Instruction Sheet

A Northern Radiator fan relay kit can be installed for any single or dual fan application up to 40 Amp max combined to protect the vehicle wiring and electronics.

WIRING

FUSE HOLDER:

Connect to (+) power supply within 12" of the battery. **NOTE:** A 30 Amp fuse is included, but in single fan applications use the lowest fuse per the current draw of the fan being installed. e.g. 12 Amp fan should be protected with a 15 Amp fuse. (40 Amp fuse max).

BLUE WIRE:

Connect to the fuse holder. **NOTE:** Use minimum of 12 gauge wire from fuse holder

GREEN WIRES:

Connect to the chassis ground by crimping a 12 gauge lead to the yellow butt connector. Seal the shrink tube case with hot air.

BLACK WIRES:

Connect one black wire to ignition switch (+) 12 volt DC source. Connect the other one to your override or temp switch. **NOTE:** The two leads are interchangeable and it does not matter which black lead you choose for the 12 volt (+).

FAN TERMINALS:

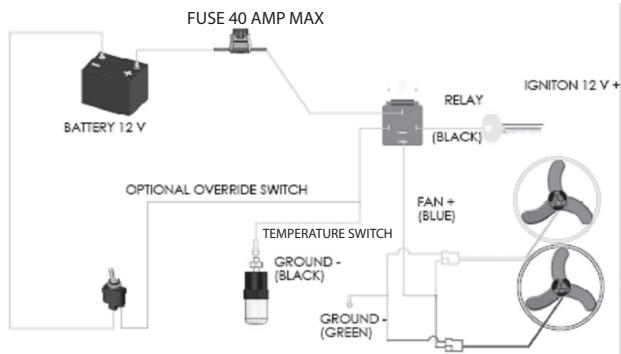
Connect to the fan(s) leads. If the fan uses a different type plug terminal, clip the terminals (on the fan) and replace with 1/4" flat blade male terminals, and insert into the harness noting the (+) and (-) locations on the wire harness connectors.

FAN TERMINAL HARNESS DIAGRAM



NOTE: For single fan applications there will be one extra fan plug that is not used.

Single and Dual Fan Connection Diagram:



DUAL FAN WITH OPTIONAL ADJUSTABLE TEMP SENSOR #BM346932:

